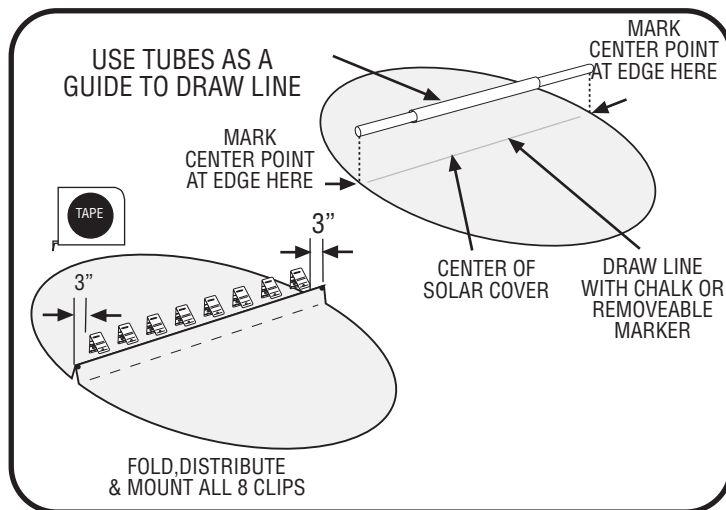
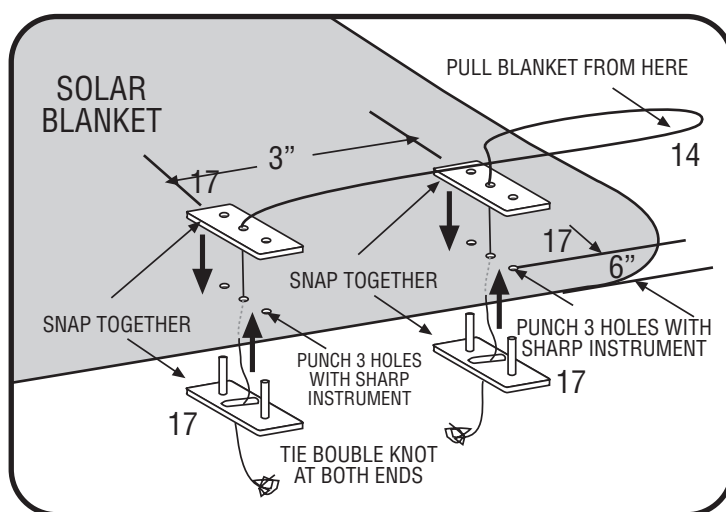


## STEP 5



**STEP 5:** Using assembled tubes as a guide draw a centerline in the solar cover from edge to edge. Use this as a guide to attach 8 clips (15) evenly.

## STEP 7



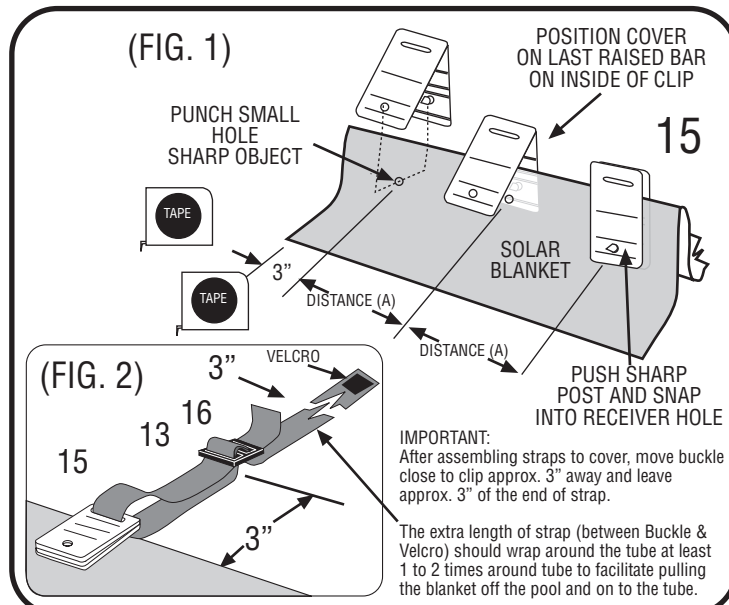
**STEP 7:** For ease of re-covering your pool after use, install the return cord provided. Locate the plates about **3" apart and at least 6" from the edge of the cover**. To install plates, use the top plate with three holes as a **GUIDE** to punch three holes with a sharp tool through the cover. Snap the posts on the male bottom plate through the two holes on the top female plate with the cover sandwiched between. Thread the return cord through the **center hole** in both top and bottom plates as shown in the diagram above and then tie a **double knot** at both ends.

### LIMITED WARRANTY

ODYSSEY SYSTEMS warrants the reel system to be free of workmanship/ material defects for a period of three (3) years from the date of purchase. Any claims must be supported by invoice/proof of purchase. EXCLUDED FROM THIS WARRANTY ARE ALL CONSUMABLES: straps, cord, velcro, plastic plates and clips.

ODYSSEY SYSTEMS WILL NOT be liable for any incidental or consequential damages resulting from any defects in workmanship or material, nor for personal injury resulting from improper placement of reel system when not in use.

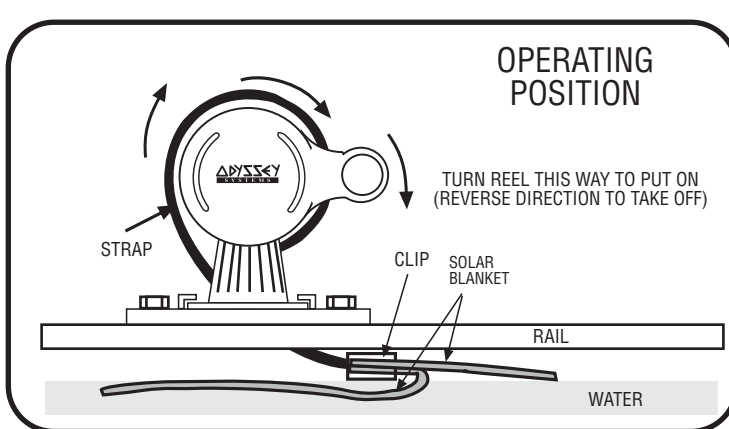
## STEP 6



**STEP 6:** Assemble Cover Clip (15) as shown in drawing (FIG. 1) to the pool cover equally spaced as per drawing in previous page (SEE STEP 4 & 5). Assemble and attach Cover Strap (13) with Buckle (16) to attached Cover Clip (FIG. 2).

**STEP 8:** To roll up solar cover, rotate handwheel slowly. The straps will move the cover away from possible damage on the coping and fold back into itself. Continued rotation of the hand wheel will transport the cover underneath the tube and then up, over and onto the tube. To recover pool, hold white return cord and walk down the length of the pool, allowing the system to "free wheel" the cover back onto the pool surface.

## STEP 8



220 South Ola Vista, Suite C, San Clemente, CA 92672  
(949) 498-9454 • Fax (949) 361-0608  
www.odysseysystems.com

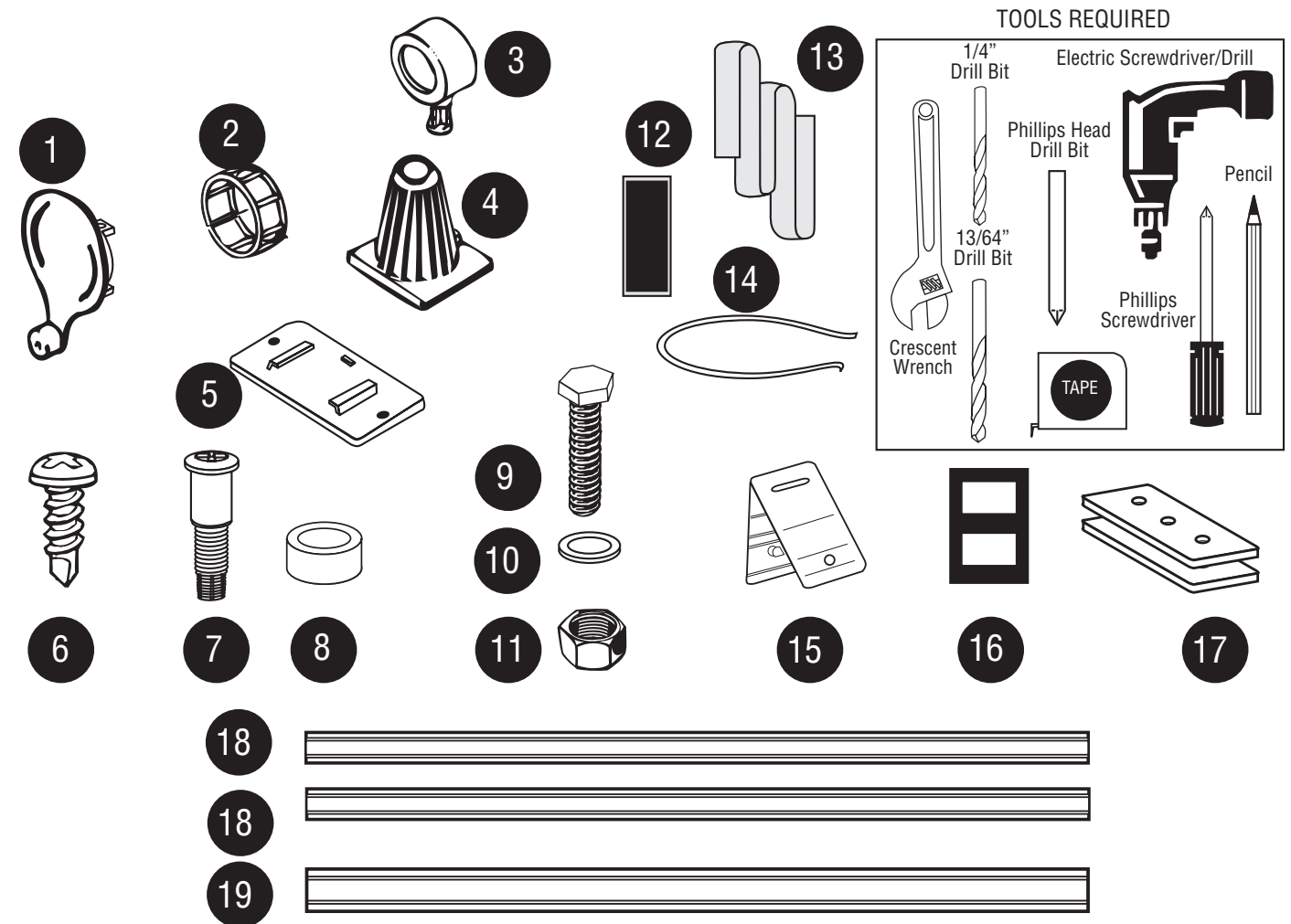
© ODYSSEY SYSTEMS 2007



## PARTS LIST

# FREEDOM SERIES M818/824/828 ABOVE GROUND REEL SYSTEMS

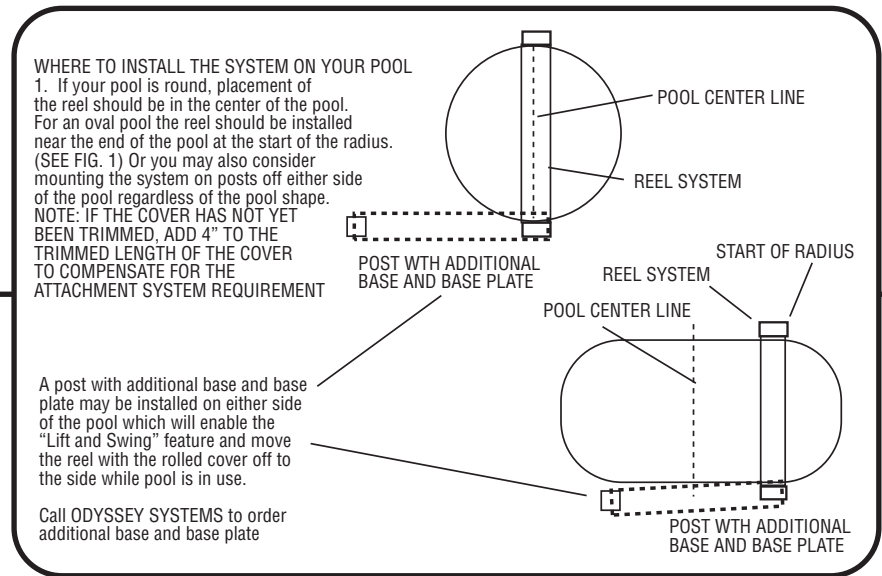
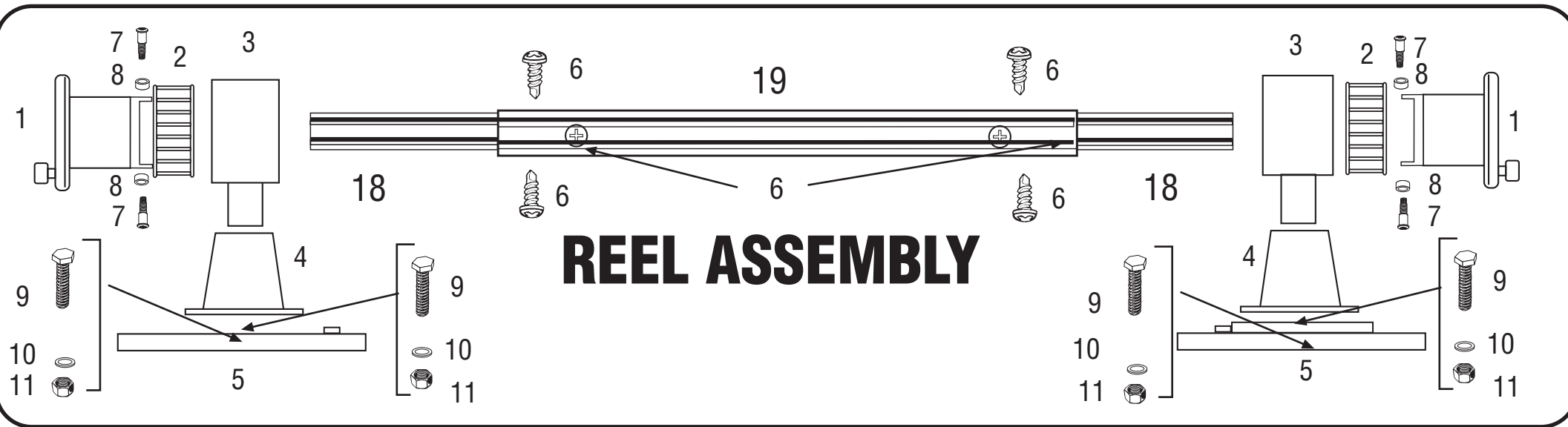
## ASSEMBLY AND OPERATION INSTRUCTIONS



1. Handwheel (white W/Handle)	523	2	10. Base Plate Washer	411	4
2. Bearing Race Assembly	615	2	11. Base Plate Nut	405	4
3. Yoke	532	2	12. Velcro Hook Piece	880	8
4. Base	530	2	13. 6' Blue Strap	890	8
5. Base Plate	540	2	14. 5' Return Cord	840	1
6. Self Tapping Screw	478	8	15. Quick Clip Cover Plate	600	8
7. 1-1/4" Phillips Shoulder Bolt	415	4	16. Strap Buckle	800	8
8. 3/4 Nylon Washer	450	4	17. Cord Plate (Set)	610	2
9. Base Plate Bolt	412	4	18. & 19. Tube Assemblies (3 sizes)		

### TUBE PARTS LIST FOR EACH SYSTEM

M818			M824			M828		
PARTS DESCRIPTION	PART#	QTY	PARTS DESCRIPTION	PART#	QTY	PARTS DESCRIPTION	PART#	QTY
18. 7' Tube (Inner)	207	2	18. 8' 11" Tube (Inner)	230	2	18. 10' 6" Tube (Inner)	208	2
19. 7' Tube (Outer)	206	1	19. 8' 11" Tube (Outer)	231	1	19. 10' 6" Tube (Outer)	209	1



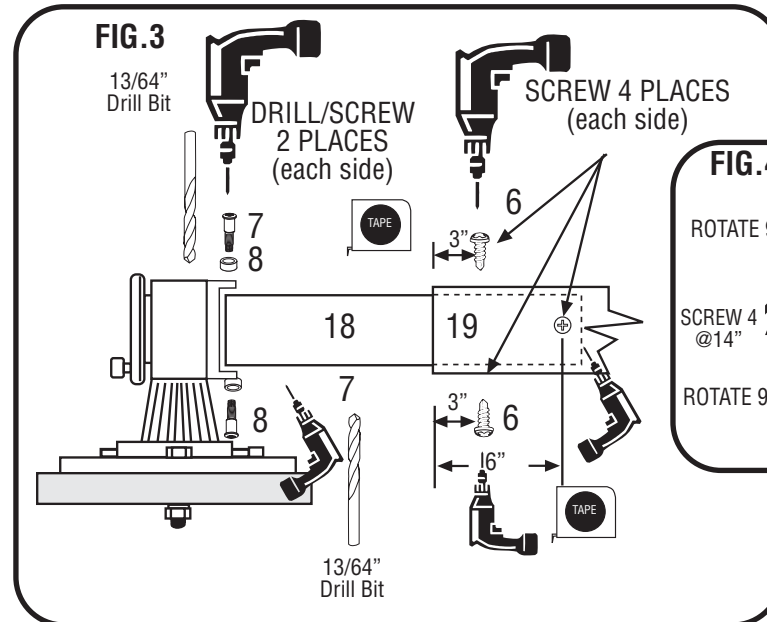
### STEP 1 LEFT SIDE REEL ASSEMBLY SHOWN

*Before start, familiarize yourself with all of the reel parts.*

**STEP 1:** After mounting base plate as shown at left, Slide base assembly into base plate (FIG.1) until it hits base stop. Assemble BOTH reel base assemblies as shown in drawing.(FIG.2)

**STEP 2:** Position both reel base assemblies at center of pool on pool deck as shown below (FIG.2). Assemble inner & outer tubes as shown and then insert tubes into reel assembly on each side. **Keep minimum measurements in mind as you do this.** Mark inner tubes as shown below.

### STEP 3

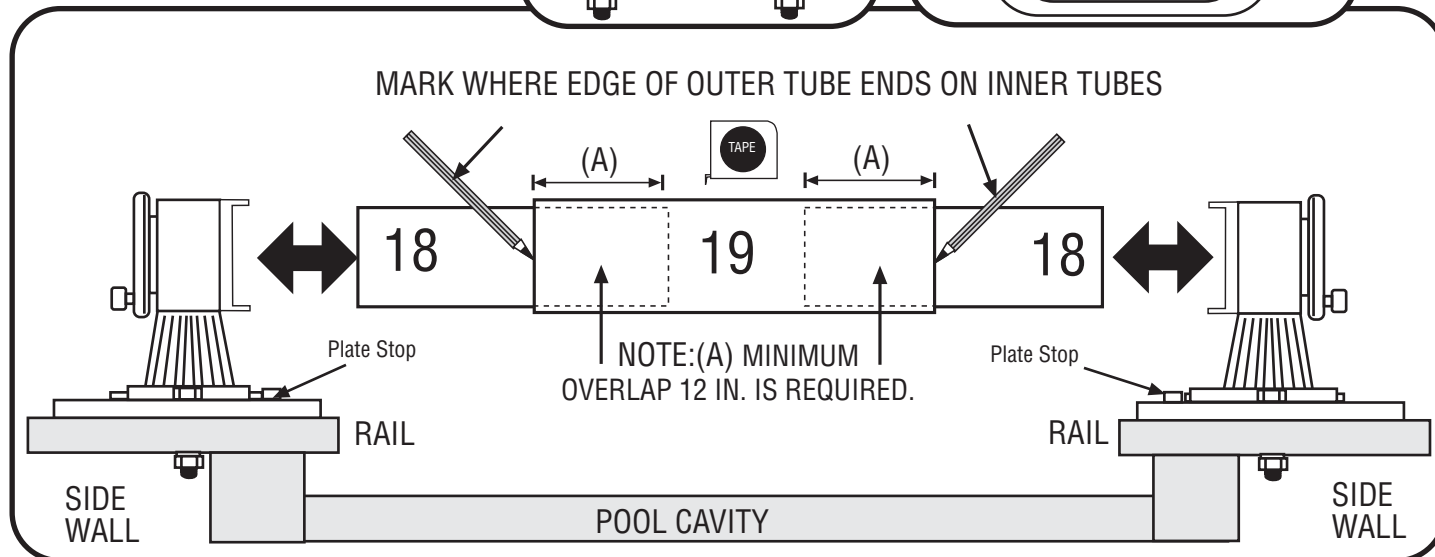
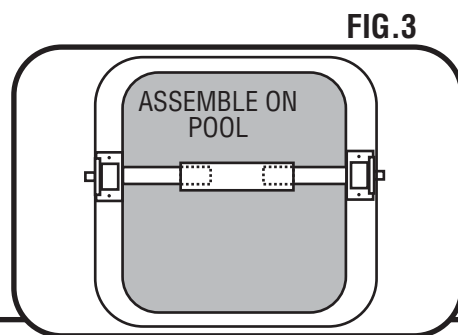
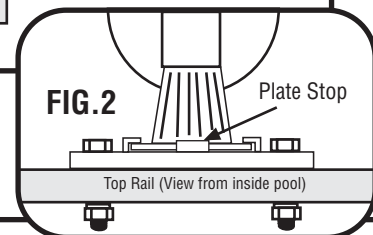
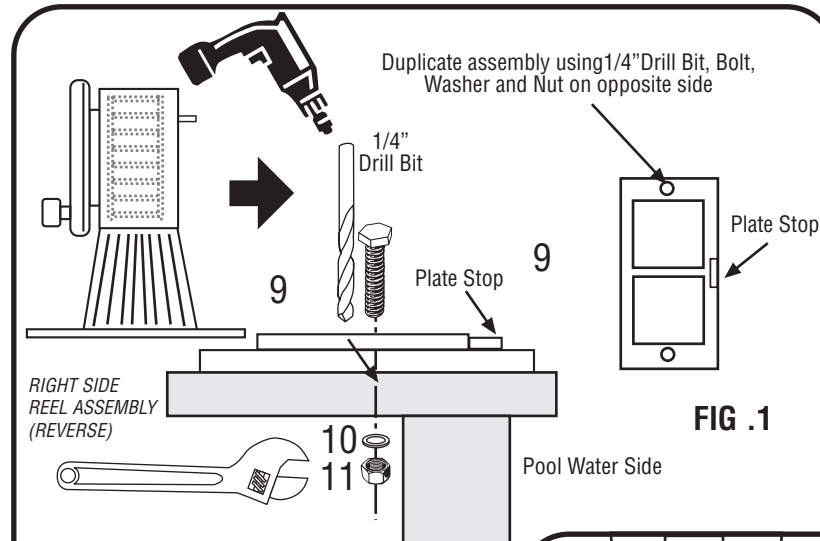


### STEP 3:

1. Disassemble tubes from mainframe assemblies and reassemble tubes only, making sure the tubes are in marked position. Use **electric drill/screwdriver** to screw in **four self-tapping screws (4)** to hold inner and outer tubes together (SEE FIG. 3 & FIG. 4).

2. Position **Screws 1 & 3** opposite from each other and at **3"** from edge of outer tube. Rotating tubes, mount **Screw 2 & 4** opposite from each other and at **least 6"** from **same edge** also for optimum holding effect.
3. Assemble tubes and mainframe assemblies together again. Using the pre-drilled holes in the hand wheel collar as a guide, **drill a 13/64"** long Phillips shoulder bolt **thru** the nylon washer an into the drilled holes in the aluminum tube. and screw until tight. **Repeat** these instructions to install hand wheel and mainframe to tubes at other end. (Refer to Step 3)

### STEP 2



### STEP 4

**STEP 4:** Lay cover next to assembly as shown below. Attach velcro strip (12) to mounted tubes equally spaced as per drawing. Attach Cover Clip (9) to Solar blanket equally spaced as per drawing. Refer to STEP 5 for clip to cover assembly.

